

CUSTOMER NOTICE

ADVANTEST[®]
ADVANTEST Corporation

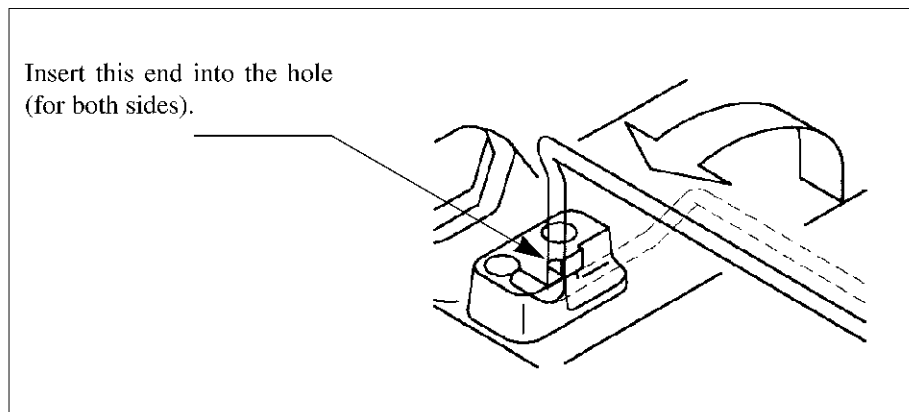
Date | May 25, 2000

Manual Name | R3267/73 Operation Manual
(FOE-8335033C00)

Customer Notice No. | FEE-8339653A00

Flip Down Stand

The metal flip down stand beneath the front panel can be used to provide a better viewing angle. Use the instrument with the flip down stand opened all the way.

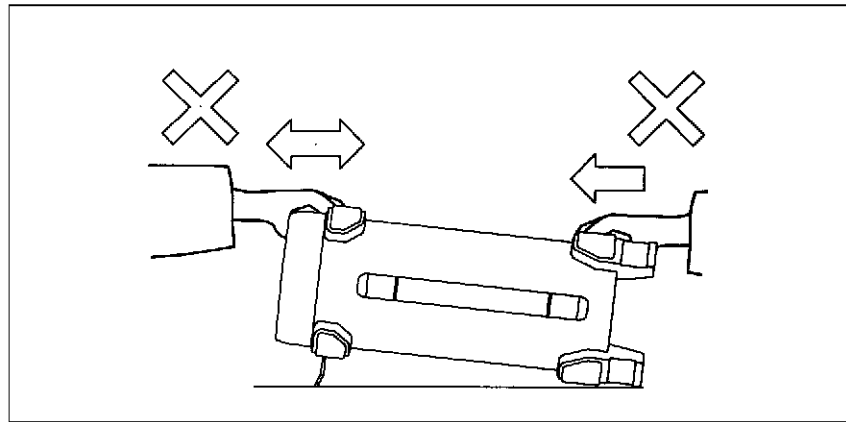


Be sure to support the analyzer firmly with one hand when opening or closing the stand.

Note the following when using the flip down stand:

Use the analyzer on flat surfaces so that the weight of the analyzer is evenly distributed.

- Do not lean on the analyzer.
- Do not put any objects on the analyzer.
- Do not place anything under the analyzer.
- Do not slide the analyzer.
- Do not use excessive force when pressing keys.
- Do not use the analyzer on a slippery place.
- Do not use the wire flip down stand as a carry handle.
- Never drag the instrument or push it from behind when the flip down stand is opened because the stand may close shut and jar the instrument.



Make sure the flip down stand is folded shut when:

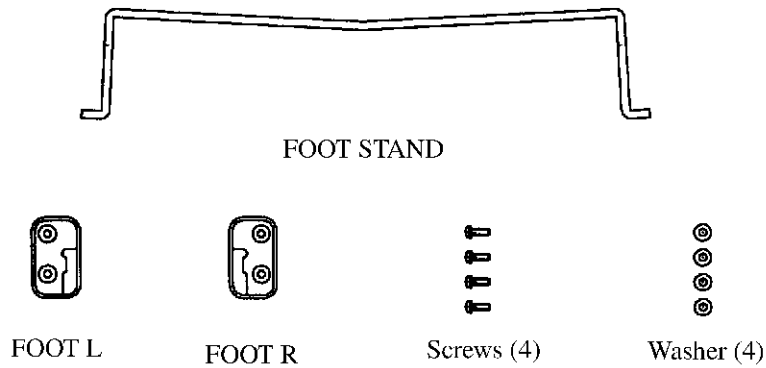
- The spectrum analyzer is not in use.
- Connecting or disconnecting cables
- Using the analyzer on a cart

CAUTION:

1. *Make sure that the flip down stand is in the normal position when the instrument is used with the flip down stand swung open.*
 2. *Make sure that the instrument is used according to the instructions presented in this section and be careful not to catch your fingers when opening or closing the stand.*
-

Flip down Stand Installation

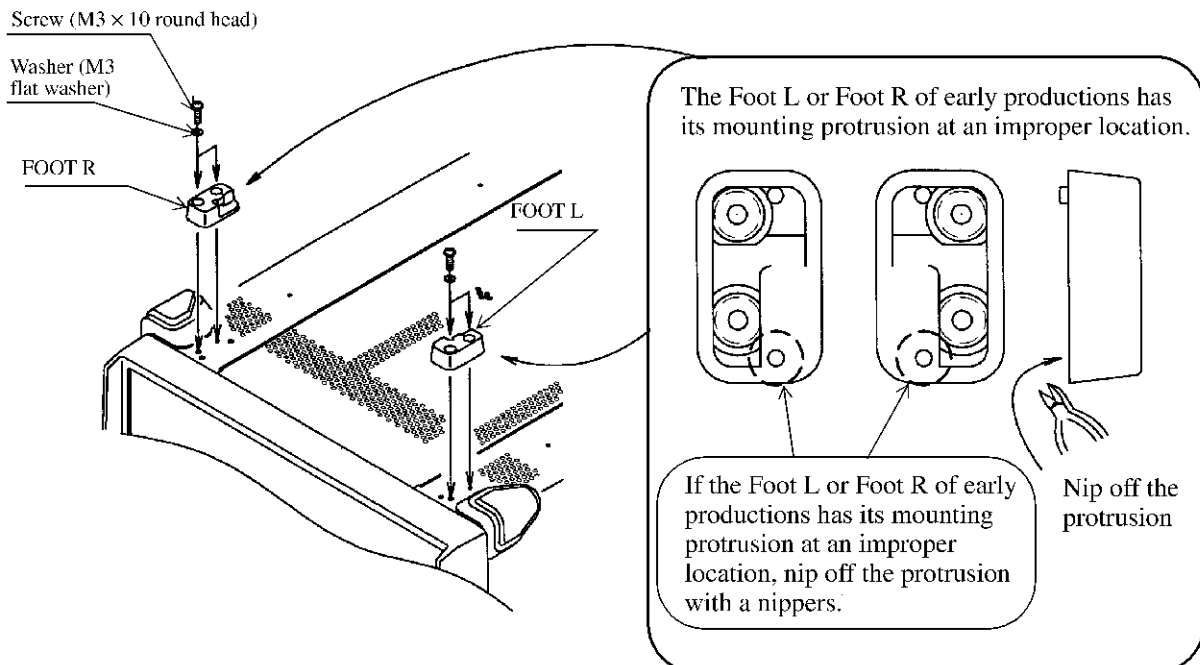
(1) Parts that Make Up the Flip down Stand



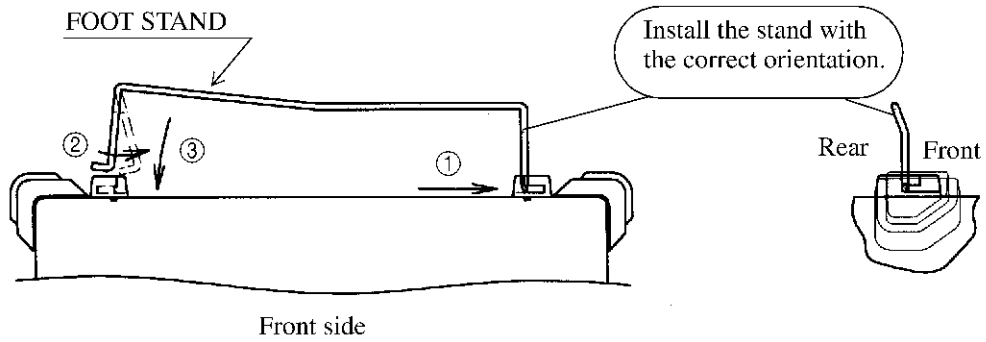
(2) Mounting the Parts

NOTE: Use a Phillips screwdriver to install the flip down stand

1. Affix the Foot L and Foot R using four tapped holes in the bottom of the instrument as shown below. Use four screws (M3 × 10 round head) and four washers (M3 flat washer). (The tightening torque is approximately 4 kgf cm.)



2. With the Foot Stand in the raised position, insert one end of the Foot Stand into the hole and then the other side in the same way by slightly bending it.



3. The installation is completed.

